

PHILIPS SERVICE

BX 465 A

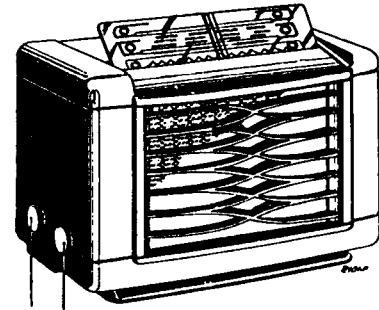
13,5—43,7 m (22,2—6,86 Mc/s)
 43,7—140 m (6,86—2,14 Mc/s)
 170—560 m (1765—536 Kc/s)

9726 Z = 5 Ω

110V, 125V, 145V,
 200V, 220V, 245V

452 Kc/s

54 W

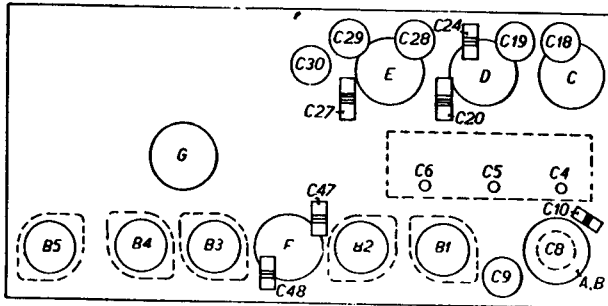


VOL ~

~ ~

| | | |
|--------------------------|---------------------|----------------------|
| 170—560 m | 13,5—43,7 m | 170—560 m |
| C4, C5, C6 min. | max. | C4, C5, C6 +15° |
| VOL max. | 21,6 Mc/s—Y | 1700 Kc/s—Y |
| 452 kc/s—33000 pF—g1, B1 | C28 min | C30, C20, C10 max. ∥ |
| C48, C47 max. | C28 1e max. | -25 pF—aB1 |
| | C18, C8 max. | C6 |
| | -25 pF—aB1 | VOL min. |
| | C6 | 554 Kc/s—Y |
| | VOL min. | C4, C5, C6 554 kc/s |
| | 7,2 Mc/s—Y | C6 |
| | C4, C5, C6 7,2 Mc/s | VOL max. |
| | C6 | C27 max. |
| | VOL max. | 170—560 m V |
| | C24 max. | |
| | 43,7—140 m | VOL max. |
| | max. | 1154 kc/s—Y |
| | C4, C5, C6 +15° | C4, C5, C6 1154 kc/s |
| | 6,6 Mc/s—Y | 260 m |
| | C29 min. | |
| | C29 1e max. | |
| | C19, C9 max. | |

15° = 09 994 08.0



R10952

| | | | | | |
|-----|-----------|----------------|-----|------------|----------------|
| R1 | 1000 Ω | 48 467 10/1K | C1 | 50 μF | 48 317 09/ |
| R3 | 0.82 MΩ | 48 425 10/820K | C2 | 50 μF | 50-50 |
| R4 | 56 Ω | 48 426 05/56E | C3 | 100 μF | 48 313 52/100 |
| R5 | 27 Ω | 48 425 10/27E | C4 | 11-490 pF | A9 863 10.0 |
| R6 | 10000 Ω | 48 427 10/10K | C5 | 11-490 pF | |
| R7 | 270 Ω | 48 425 10/270E | C6 | 11-490 pF | |
| R8 | 82000 Ω | 48 426 10/82K | C7 | 3.3 pF | 48 406 99/3E3 |
| R9 | 47000/2 Ω | 48 427 10/47K | C8 | 30 pF | see „Cells“ |
| R10 | 0.82 MΩ | 48 425 10/820K | C9 | 30 pF | 28 212 36.4 |
| R11 | 47000 Ω | 48 425 10/47K | C10 | 2-12.5 pF | 49 005 490 |
| R12 | 22000 Ω | 48 427 10/22K | C11 | 22000 pF | 48 756 20/22K |
| R13 | 47000 Ω | 48 427 10/47K | C12 | 220 pF | 48 408 20/220E |
| R14 | 0.2 MΩ | 49 473 52.0 | C13 | 82 pF | 48 406 10/82E |
| R15 | 2 MΩ | | C14 | 220 pF | 48 408 20/220E |
| R16 | 0.1 MΩ | 48 425 10/100K | C16 | 47000 pF | 48 751 20/47K |
| R17 | 0.5 MΩ | 49 500 11.0 | C17 | 47000 pF | 48 751 20/47K |
| R18 | 0.56 MΩ | 48 425 10/560K | C18 | 30 pF | 28 212 36.4 |
| R19 | 18000 Ω | 48 426 10/18K | C19 | 30 pF | 28 212 36.4 |
| R20 | 1.5 MΩ | 48 426 10/15M | C20 | 2-12.5 pF | 49 005 490 |
| R21 | 0.82 MΩ | 48 425 10/820K | C21 | 220 pF | 48 408 20/220E |
| R22 | 0.82 MΩ | 48 425 10/820K | C22 | 68 pF | 48 408 10/68E |
| R23 | 0.1 MΩ | 48 427 10/100K | C23 | 150 pF | 48 408 10/150E |
| | | | C24 | 10-125 pF | 49 005 520 |
| | | | C25 | 47000 pF | 48 750 20/47K |
| | | | C26 | 1800 pF | 48 429 02/1K8 |
| | | | C27 | 250-400 pF | 49 005 54.0 |
| | | | C28 | 30 pF | 28 212 36.4 |
| | | | C29 | 30 pF | 28 212 36.4 |
| | | | C30 | 30 pF | 28 212 36.4 |
| | | | C31 | 102 pF | |
| | | | C32 | 102 pF | see „Cells“ |
| | | | C33 | 47000 pF | 48 751 20/47K |
| | | | C34 | 102 pF | |
| | | | C35 | 102 pF | see „Cells“ |
| | | | C36 | 10000 pF | 48 751 20/10K |
| | | | C37 | 10000 pF | 48 750 20/10K |
| | | | C38 | 22 pF | 48 406 10/22E |
| | | | C39 | 82 pF | 48 408 10/82E |
| | | | C40 | 47 pF | 48 408 20/47E |
| | | | C41 | 47000 pF | 48 750 20/47K |
| | | | C42 | 4700 pF | 48 758 20/47K |
| | | | C43 | 0.1 μF | 48 751 20/100K |

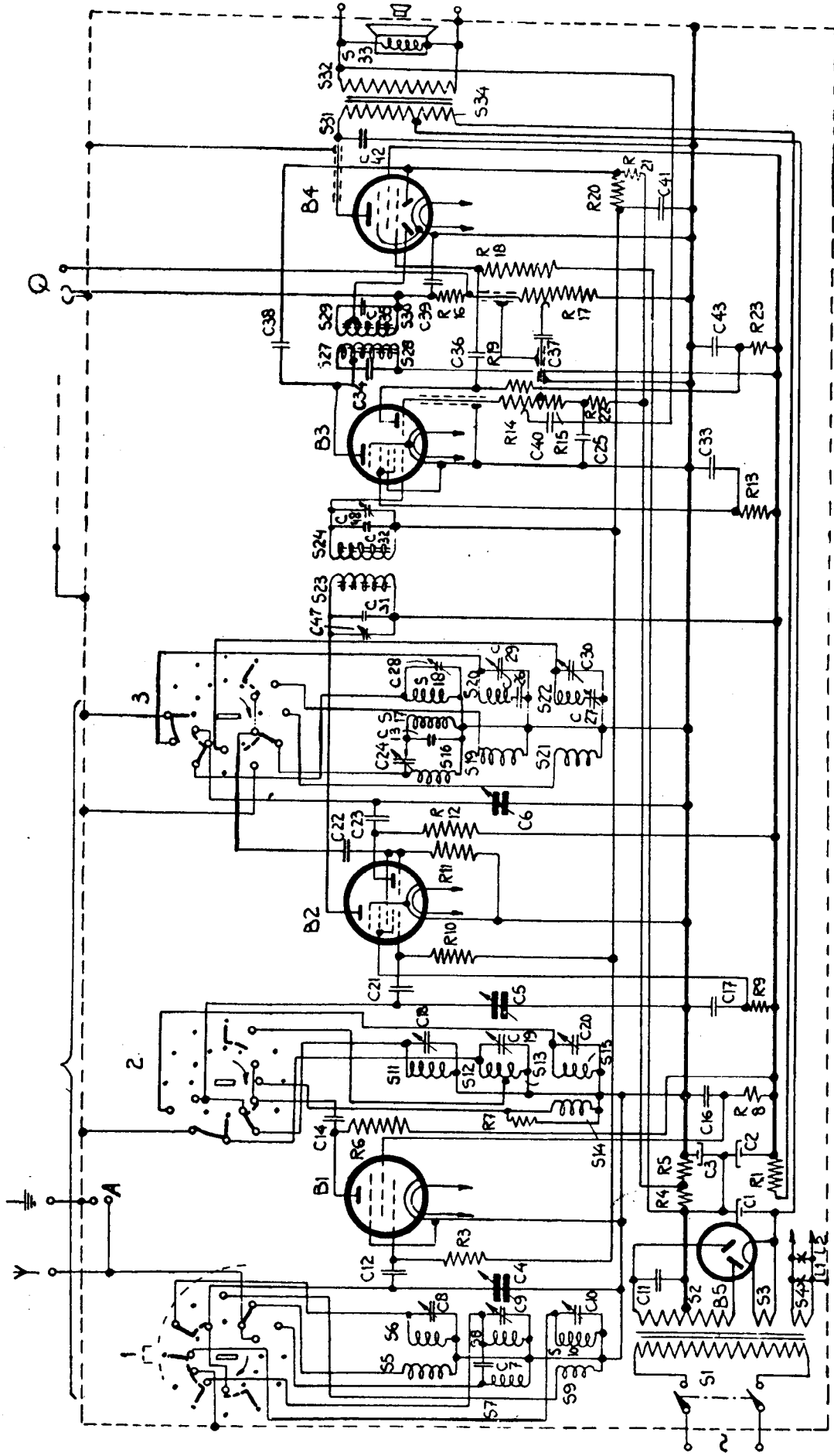
| | | | | | | | | |
|----------------------|------|-------|-------|-------|-----|-----|-----|----|
| | B1 | B2 | B3 | B4 | B5 | | | |
| | EF22 | ECH21 | ECH21 | EBL21 | AZ1 | | | |
| V _a | 180 | 120 | 220 | 50 | 220 | 230 | 260 | V |
| V _{g2} (+4) | 80 | — | 80 | — | 80 | 220 | — | V |
| I _a | 5,5 | 7 | 2,8 | 2 | 3,8 | 30 | 65 | mA |
| I _{g2} (+4) | 2 | — | 6 | — | 3,2 | 3,8 | — | mA |

V_{C1} = 260V V_{C2} = 225 V V_{C3} = 5V

| | | | |
|-------------------------------|-------------|--------------------------------|-------------|
| S1, S2, S3, S4 | A3 141 20.0 | S19, S20, S21, S22 | A3 121 32.0 |
| S5, S6, S7, S8 S9, S10, C8 | A3 121 28.2 | S23, S24, C31, C32 | A3 121 94.0 |
| S11, S12, S13 | A3 121 30.2 | S27, S28, S29, S30 C34, C35 | A3 121 34.2 |
| S14, S15, S16 S17, S18 | A3 121 31.0 | S31, S32, S34 | A3 168 53.1 |
| | | S33 | 49 981 11.0 |

93 951 49.1

| | |
|---|------------|
| S: 5,7,9,1,6,8,10,2,3,4, 14, 11, 12, 13, 15, 16, 17, 18, 19, 20, 21, 22, 23, 24, 27, 28, 29, 30 | 31, 32, 33 |
| C: 7,8,9,10,11,12, 1, 3,2, 4, 5, 6, 17, 18, 19, 20, 5, 21, 22, 23, 24, 27, 28, 29, 30, 31, 47, 32, 4, 8, 33, 25, 40, 34, 35, 36, 37, 38, 39, 43, 41, 42 | |
| R: 3, 4, 5, 1, 6, 7, 8, 9, 10, 11, 12, 13, 14, 15, 19, 22, 23, 16, 17, 18, 20, 21 | |



R10930

